

CROSS FLOW FAN
DC

LWCD-030

Motor Type : DC Brushless External Rotor Motor

Housing Material : Aluminum alloy

Blade Material : Aluminum Alloy

Insulation Class : B/F/H

Bearing Type: Ball bearing / Sleeve Bearing

Speed Control : 0~10V / PWM control

Operation Temperature : - 25 °C ~ +60 °C

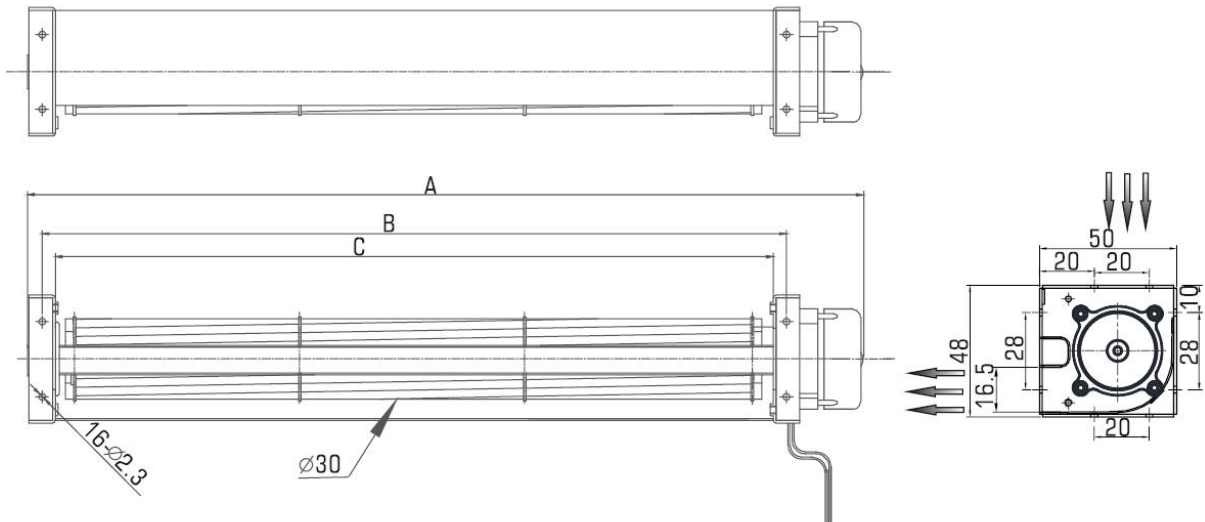


TELL : 0086 574 6218 9863

FAX : 0086 574 6218 9863

Email : sales@zjlongwell.com Website : www.zjlongwell.com

■ Technical Specification



Model	Dimension(mm)			Voltage V	Current A	Speed rpm	Pressure Pa	Airflow m ³ /h	Noise dB(A)
	A	B	C						
LWCD-3090L-10	152	108	98	12	0.1	3000	17	35	29
LWCD-3090M-10				24					
LWCD-30150L-10	214	170	160	12	0.12	2800	15	42	30
LWCD-30150M-10				24					
LWCD-30190L-10	252	208	198	12	0.14	2700	14	52	31
LWCD-30190M-10				24					
LWCD-30250L-10	302	258	248	12	0.16	2600	14	65	32
LWCD-30250M-10				24					
LWCD-30290L-10	354	310	300	12	0.18	2500	13	72	33
LWCD-30290M-10				24					
LWCD-30350L-10	406	362	352	12	0.2	2400	12	84	35
LWCD-30350M-10				24					

CROSS FLOW FAN DC

LWCD-030 Double & Triple Fan

Motor Type : DC Brushless External Rotor Motor

Housing Material : Aluminum Alloy

Blade Material : Aluminum Alloy

Insulation Class : B/F/H

Bearing Type: Ball bearing / Sleeve Bearing

Speed Control : 0~10V / PWM control

Operation Temperature : - 25 °C ~ +60 °C

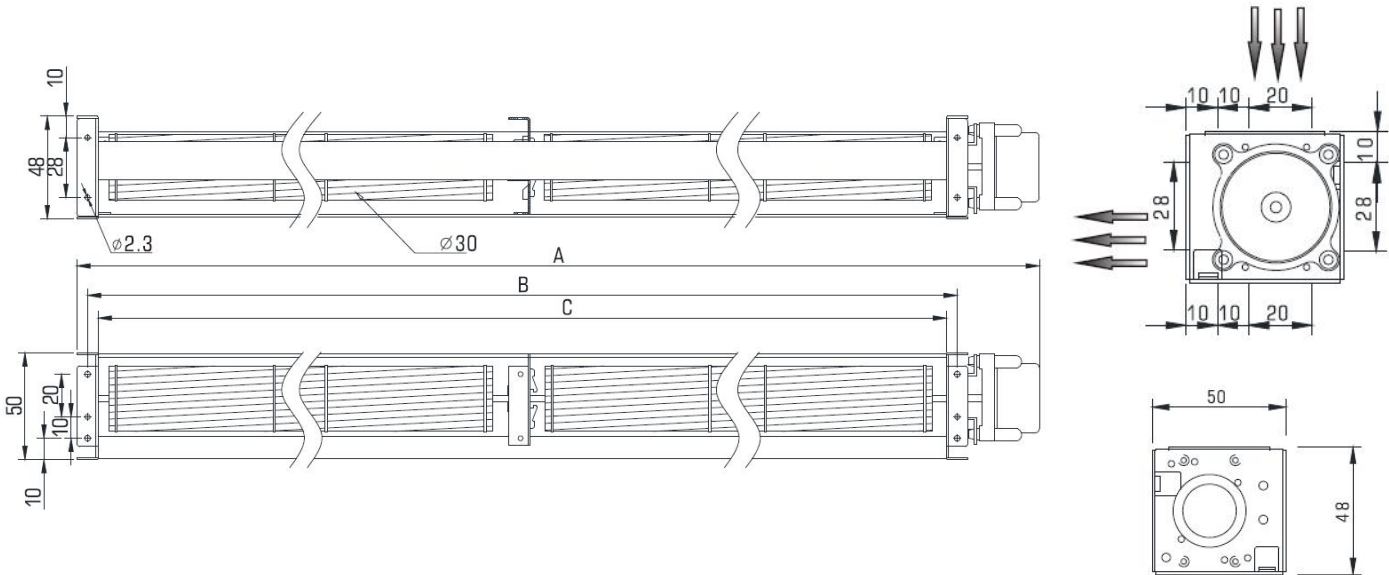
TELL : 0086 574 6218 9863

FAX : 0086 574 6218 9863

Email : sales@zjlongwell.com Website : www.zjlongwell.com



Technical Specification



Model	Dimension(mm)			Voltage	Current	Speed	Pressure	Airflow	Noise	Blower
	A	B	C	V	A	rpm	Pa	m ³ /h	dB(A)	
LWCD-30530M-20	583.5	540	530	24	0.12	2500	18	85	32	double
LWCD-30610M-20	663.5	620	610	24	0.16	2450	18	100	33	double
LWCD-30650M-20	703.5	660	650	24	0.17	2400	17	105	34	double
LWCD-30718M-20	771.5	728	718	24	0.18	2400	17	115	35	double
LWCD-30800M-30	853.5	810	800	24	0.19	2400	17	130	36	triple
LWCD-30854M-30	907.5	864	854	24	0.22	2400	17	140	36	triple
LWCD-30920M-30	973.5	930	920	24	0.22	2400	17	150	37	triple
LWCD-30986M-30	1039.5	996	986	24	0.27	2400	17	160	37	triple
LWCD-301082M-30	1135.5	1092	1082	24	0.31	2400	17	175	38	triple

CROSS FLOW FAN DC

LWCD-DC040

Motor Type : DC Brushless External Rotor Motor

Housing Material : Aluminum Alloy

Blade Material : Aluminum Alloy

Insulation Class : B/F/H

Bearing Type: Ball bearing / Sleeve Bearing

Speed Control : 0~10V / PWM control

Operation Temperature : - 25 °C ~ +60 °C

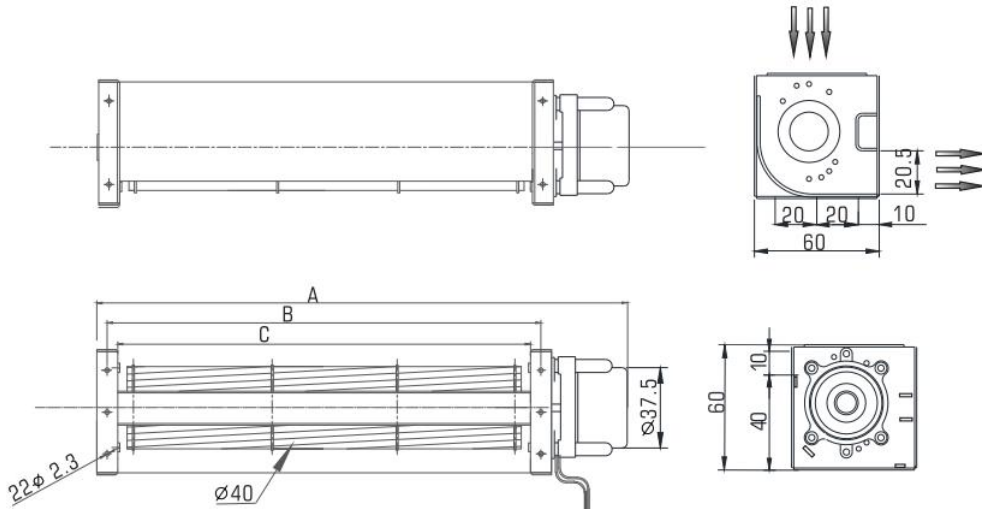


TELL : 0086 574 6218 9863

FAX : 0086 574 6218 9863

Email : sales@zjlongwell.com Website : www.zjlongwell.com

■ Technical Specification



Model	Dimension(mm)			Voltage	Current	Speed	Pressure	Airflow	Noise
	A	B	C	V	A	rpm	Pa	m ³ /h	dB(A)
LWCD-4090L-10	167	121	98	12	0.12	3000	28	42	33
LWCD-4090M-10				24	0.07	3000	28	42	33
LWCD-40120L-10	229	183	160	12	0.18	2700	25	60	34
LWCD-40120M-10				24	0.1	2700	25	60	34
LWCD-40190L-10	267	221	198	12	0.2	2500	24	84	35
LWCD-40190M-10				24	0.12	2600	24	84	35
LWCD-40250L-10	319	273	250	12	0.23	2400	23	107	36
LWCD-40250M-10				24	0.13	2400	23	107	36
LWCD-40290L-10	369	323	300	12	0.26	2300	21	126	37
LWCD-40290M-10				24	0.14	2300	21	126	37
LWCD-40350L-10	417	371	348	12	0.29	2200	20	144	38
LWCD-40350M-10				24	0.16	2100	20	144	38
LWCD-40420L-10	489	443	420	12	0.32	2000	18	156	39
LWCD-40420M-10				24	0.17	2000	18	156	39

CROSS FLOW FAN DC

LWCD-040 Double & Triple Fan

Motor Type : DC Brushless External Rotor Motor

Housing Material : Aluminum Alloy

Blade Material : Aluminum Alloy

Insulation Class : B/F/H

Bearing Type: Ball bearing / Sleeve Bearing

Speed Control : 0~10V / PWM control

Operation Temperature : - 25 °C ~ +60 °C

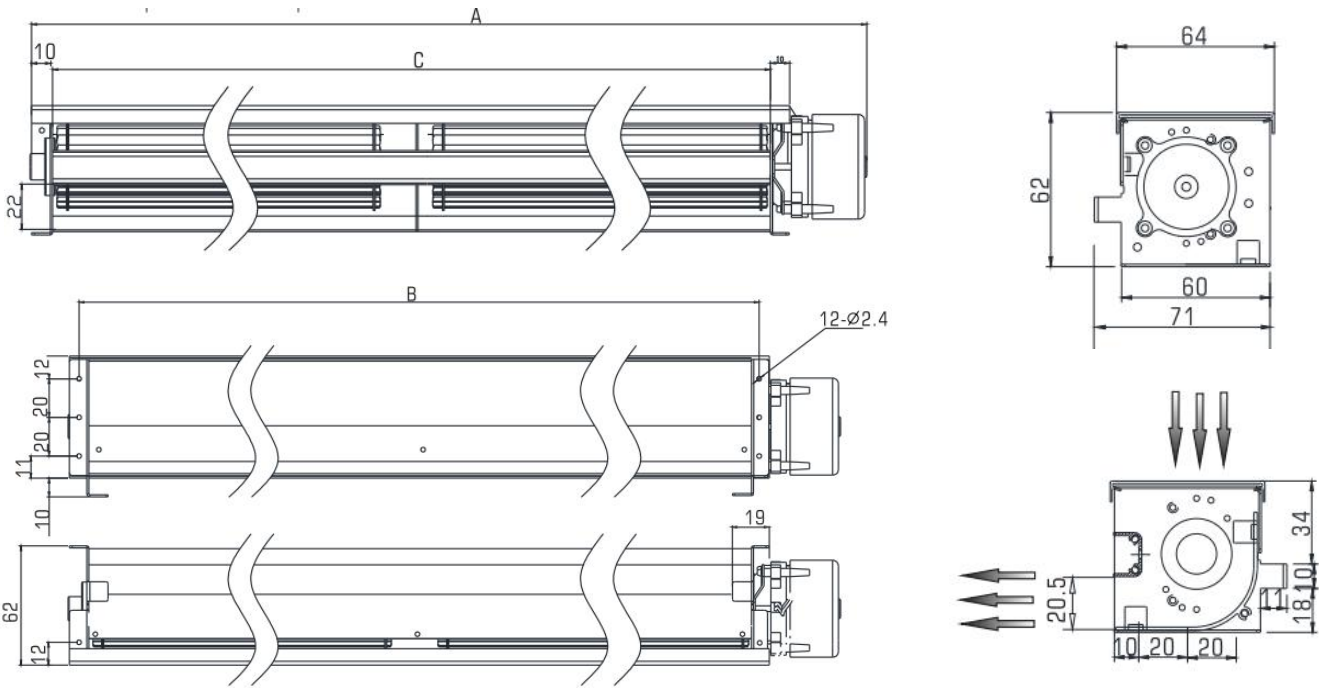
TELL : 0086 574 6218 9863

FAX : 0086 574 6218 9863

Email : sales@zjlongwell.com Website : www.zjlongwell.com



■ Technical Specification



Model	Dimension(mm)			Voltage	Current	Speed	Pressure	Airflow	Noise	Blower
	A	B	C	V	A	rpm	Pa	m ³ /h	dB(A)	
LWCD-40530M-20	580	540	530	24	0.24	2100	19	150	34	double
LWCD-40610M-20	670	620	610	24	0.29	2100	19	170	35	double
LWCD-40700M-20	750	710	700	24	0.35	2100	19	195	35	double
LWCD-40800M-30	850	810	800	24	0.39	2000	18	220	36	triple
LWCD-40854M-30	904	864	854	24	0.42	2000	18	235	36	triple
LWCD-40920M-30	973	930	920	24	0.23	2000	18	253	37	triple
LWCD-401055M-30	1108	1065	1055	24	0.27	2000	18	290	38	triple

CROSS FLOW FAN
DC

LWCD-043

Motor Type : DC Brushless External Rotor Motor

Housing Material : Aluminum Alloy

Blade Material : Aluminum Alloy

Insulation Class : B/F/H

Bearing Type: Ball bearing / Sleeve Bearing

Speed Control : 0~10V / PWM control

Operation Temperature : - 25 °C ~ +60 °C

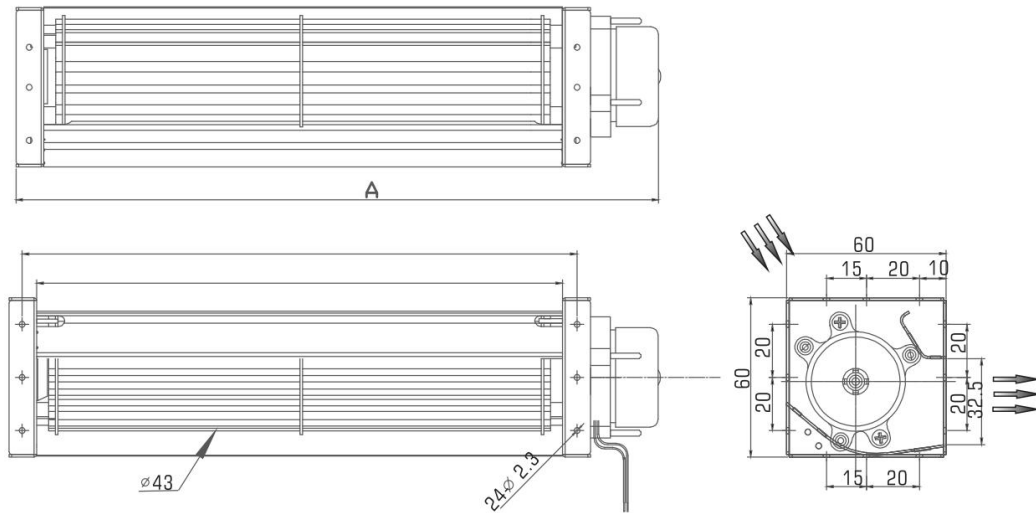


TELL : 0086 574 6218 9863

FAX : 0086 574 6218 9863

Email : sales@zjlongwell.com Website : www.zjlongwell.com

■ Technical Specification



Model	Dimension(mm)			Voltage	Current	Speed	Pressure	Airflow	Noise
	A	B	C	V	A	rpm	Pa	m ³ /h	dB(A)
LWCD-4390L-10	145	108	98	12	0.12	3000	19	43	36
LWCD-4390M-10				24	0.07	3000	19	43	36
LWCD-43150L-10	210	170	160	12	0.18	2700	12	75	37
LWCD-43150M-10				24	0.1	2700	12	75	37
LWCD-43190L-10	230	208	198	12	0.2	2500	11	90	39
LWCD-43190M-10				24	0.12	2500	11	95	39
LWCD-43250L-10	300	260	250	12	0.23	2400	10	102	40
LWCD-43250M-10				24	0.13	2400	10	102	40
LWCD-43290L-10	352	310	300	12	0.26	2300	8	120	41
LWCD-43290M-10				24	0.14	2300	8	120	41
LWCD-43350L-10	417	358	348	12	0.29	2100	12	138	41
LWCD-43350M-10				24	0.16	2100	12	138	41
LWCD-43420L-10	472	430	420	12	0.32	2000	13	150	43
LWCD-43420M-10				24	0.17	2000	13	150	43

CROSS FLOW FAN
DC

LWLB-DC050

Motor Type : DC Brushless External Rotor Motor

Housing Material : Aluminum Alloy

Blade Material : Aluminum Alloy

Insulation Class : B/F/H

Bearing Type: Ball bearing / Sleeve Bearing

Speed Control : 0~10V / PWM control

Operation Temperature : - 25 °C ~ +60 °C

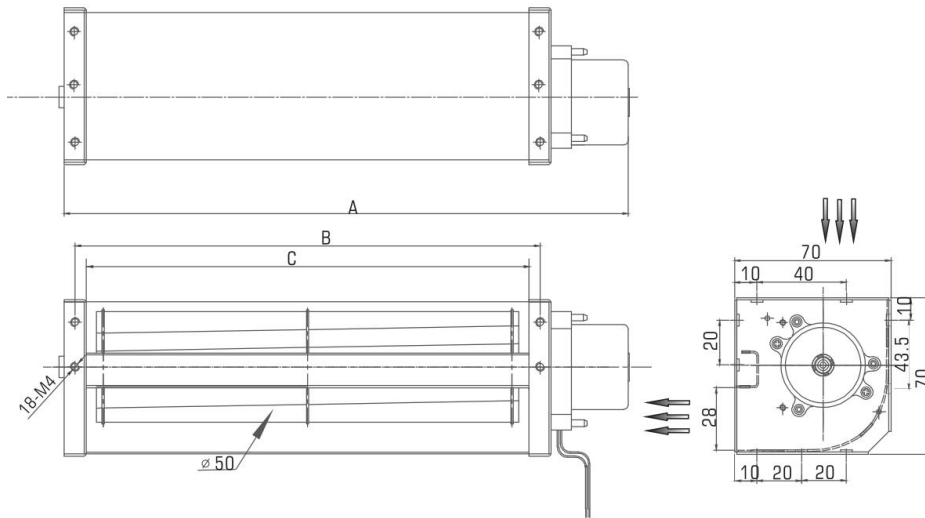


TELL : 0086 574 6218 9863

FAX : 0086 574 6218 9863

Email : sales@zjlongwell.com Website : www.zjlongwell.com

■ Technical Specification



Model	Dimension(mm)			Voltage	Current	Speed	Pressure	Airflow	Noise
	A	B	C	V/HZ	A	rpm	Pa	m ³ /h	dB(A)
LWCD-5090L-10	166	108	98	12	0.2	2500	31	70	36
LWCD-5090M-10				24	0.11	2600	31	70	36
LWCD-50150L-10	226	168	158	12	0.3	2100	25	85	33
LWCD-50150M-10				24	0.2	2100	25	85	33
LWCD-50190L-10	266	208	198	12	0.56	2600	31	108	45
LWCD-50190M-10				24	0.3	2600	31	108	45
LWCD-50250L-10	310	258	248	12	0.73	2450	29	143	45
LWCD-50250M-10				24	0.36	2450	29	143	45
LWCD-50290L-10	363	308	290	12	0.79	2300	27	205	46
LWCD-50290M-10				24	0.4	2300	27	205	46
LWCD-50350L-10	422	368	358	12	0.9	2200	25	238	46
LWCD-50350M-10				24	0.46	2200	25	238	46
LWCD-50420L-10	476	428	418	12	0.93	2200	25	290	47
LWCD-50420M-10				24	0.48	2200	25	290	47

CROSS FLOW FAN DC

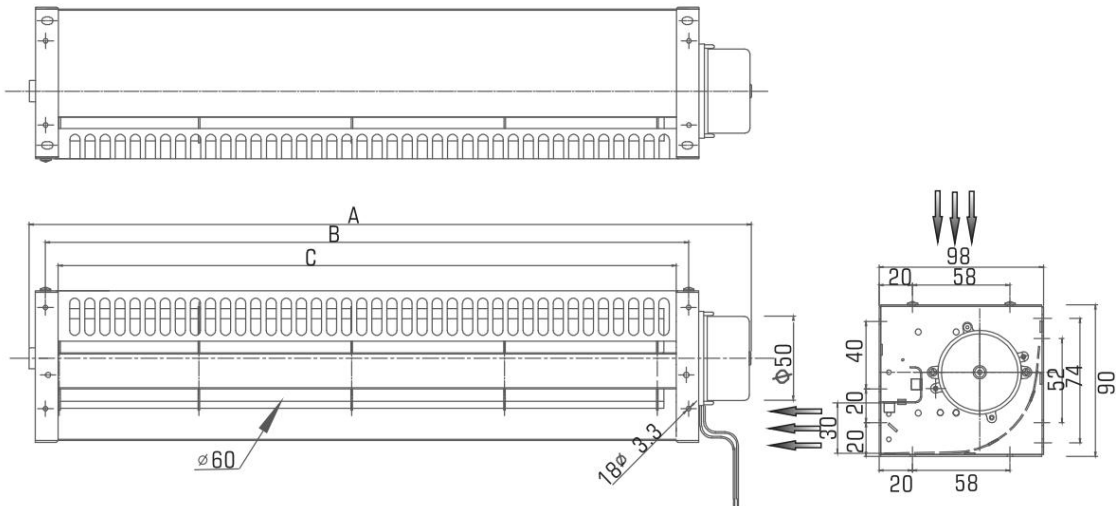
LWLB-DC060

Motor Type : DC Brushless External Rotor Motor
Housing Material : Galvanized Sheet Steel
Blade Material : Aluminum Alloy
Insulation Class : B/F/H
Bearing Type: Ball bearing / Sleeve Bearing
Speed Control : 0~10V / PWM control
Operation Temperature : - 25 °C ~ +60 °C



TELL : 0086 574 6218 9863
 FAX : 0086 574 6218 9863
 Email : sales@zjlongwell.com Website : www.zjlongwell.com

■ Technical Specification



Model	Dimension(mm)			Voltage V	Current A	Speed rpm	Pressure mmH2O/Pa	Airflow m³/h	Noise dB(A)
	A	B	C						
LWCD-60120L-10	186	138	123	12	0.74	2600	52	102	45
LWCD-60120M-10				24	0.35	2600	52	102	45
LWCD-60180L-10	246	199	184	12	1.00	2400	47	139	46
LWCD-60180M-10				24	0.47	2350	47	139	45
LWCD-60240L-10	307	259	245	12	1.20	2200	43	169	45
LWCD-60240M-10				24	0.55	2200	43	169	45
LWCD-60300L-10	368	321	306	12	1.35	2100	41	192	43
LWCD-60300M-10				24	0.63	2000	41	192	43
LWCD-60360L-10	430	383	368	12	1.45	2000	41	212	43
LWCD-60360M-10				24	0.67	1900	38	212	42
LWCD-60420L-10	492	444	429	12	1.53	1900	38	254	42
LWCD-60420M-10				24	0.73	1800	36	254	42
LWCD-60420M-10(2)				24	2.55	3200	86	537	56

CROSS FLOW FAN DC

LWCD-060 Double & Triple Fan

Motor Type : DC Brushless External Rotor Motor
Housing Material : Galvanized Sheet Steel
Blade Material : Aluminum Alloy
Insulation Class : B/F/H
Bearing Type: Ball bearing / Sleeve Bearing
Speed Control : 0~10V / PWM control
Operation Temperature : - 25 °C ~ +60 °C

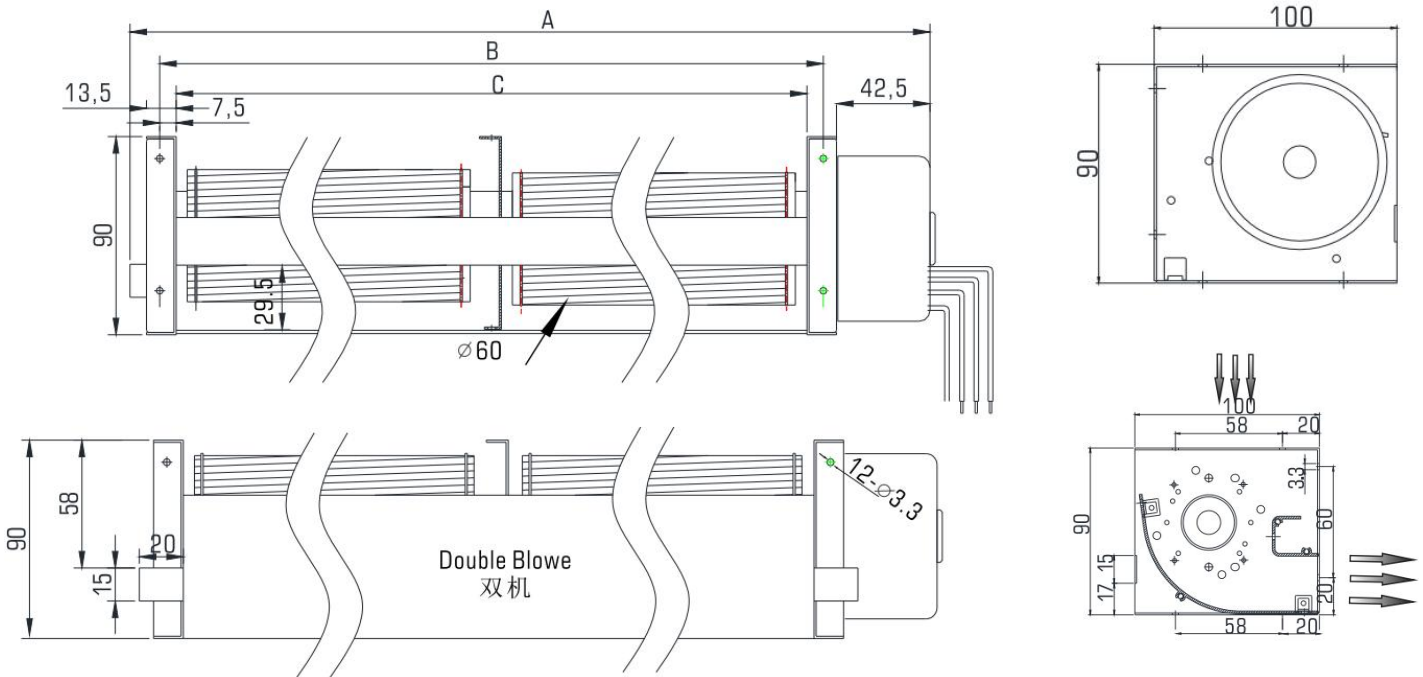
TELL : 0086 574 6218 9863

FAX : 0086 574 6218 9863

Email : sales@zjlongwell.com Website : www.zjlongwell.com



■ Technical Specification



Model	Dimension(mm)			Voltage V	Current A	Speed rpm	Pressure mmH2O/Pa	Airflow m ³ /h	Noise dB(A)	Blower
	A	B	C							
LWCD-60520M-10	600	535	520	24	0.6	1800	50	330	47	single
LWCD-60610M-10	690	625	610	24	0.6	1800	50	380	47	single
LWCD-60640M-20	720	655	640	24	0.7	1800	52	400	48	double
LWCD-60720M-20	780	715	700	24	0.7	1800	52	440	48	double
LWCD-60750M-20	830	765	750	24	0.8	1800	52	470	48	double
LWCD-60870M-20	950	885	870	24	1	1800	52	550	49	double
LWCD-601100M-30	1185	1120	1105	24	1.5	1800	60	630	52	triple
LWCD-601300M-30	1385	1320	1305	24	2.2	1800	60	820	54	triple

CROSS FLOW FAN DC

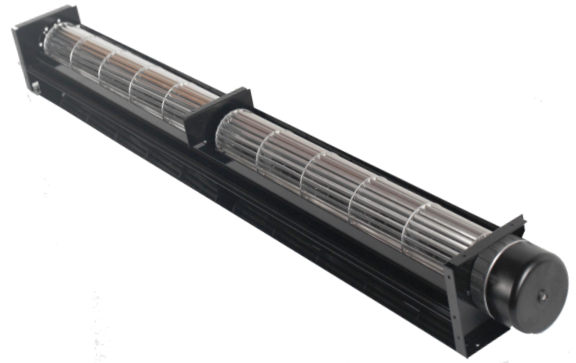
LWLB-DC065 Double & Triple Fan

Motor Type : DC Brushless External Rotor Motor
Housing Material : Galvanized Sheet Steel
Blade Material : Aluminum Alloy
Insulation Class : B/F/H
Bearing Type: Ball bearing / Sleeve Bearing
Speed Control : 0~10V / PWM control
Operation Temperature : - 25 °C ~ +60 °C

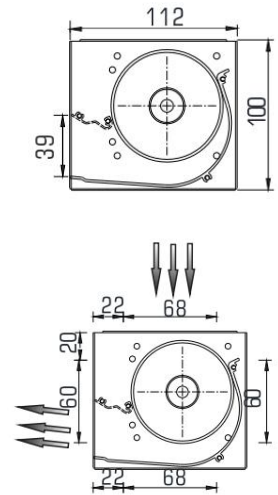
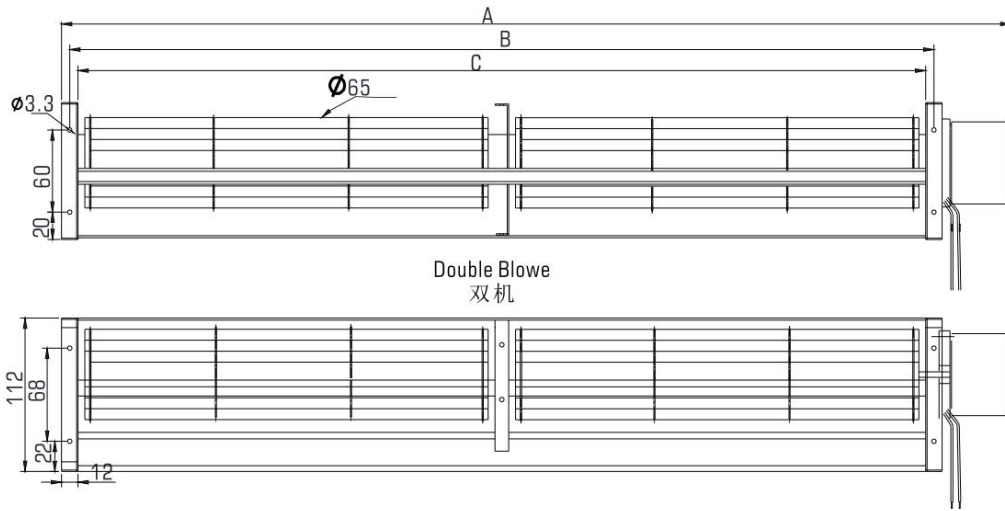
TELL : 0086 574 6218 9863

FAX : 0086 574 6218 9863

Email : sales@zjlongwell.com Website : www.zjlongwell.com



■ Technical Specification



Model	Dimension(mm)			Voltage V	Current A	Speed rpm	Pressure mmH2O/Pa	Airflow m³/h	Noise dB(A)	Blower
	A	B	C							
LWCD-65520M-10	589	532	520	24	1.2	1800	64	705	50	single
LWCD-65520L-10				12	2.7	1800				
LWCD-65620M-10	689	632	620	24	1.25	1800	64	825	51	single
LWCD-65620L-10				12	2.5	1800				
LWCD-65720M-20	789	732	720	24	1.30	1800	64	860	50	double
LWCD-65720L-20				12	2.6	1800				
LWCD-65750M-20	819	762	750	24	1.4	1800	64	880	50	double
LWCD-65750L-20				12	2.8	1800				
LWCD-65820M-20	889	832	820	24	1.8	1800	65	920	53	double
LWCD-65820L-20				12	3	1800				
LWCD-65870M-20	939	882	870	24	1.6	1800	65	970	53	double
LWCD-65870L-20				12	3.2	1800				
LWCD-651100M-30	1174	1117	1105	24	4.2	1600	55	1225	56	triple
LWCD-651300M-30	1374	1317	1305	24	4.2	1600	55	1445	56	triple